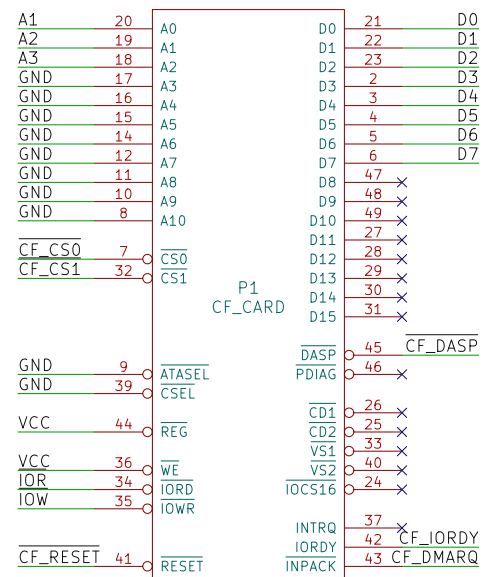
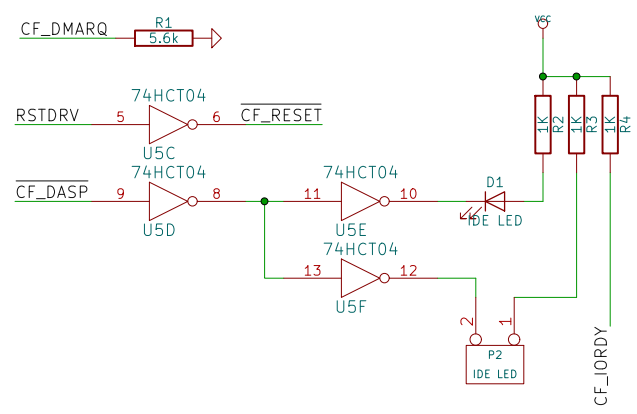
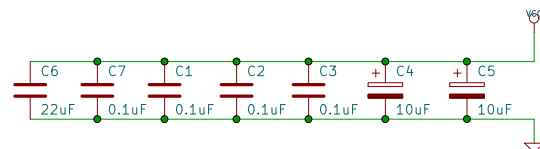
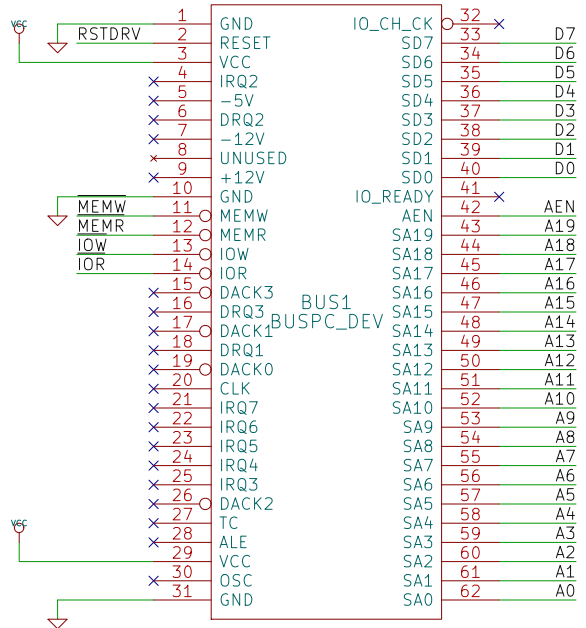


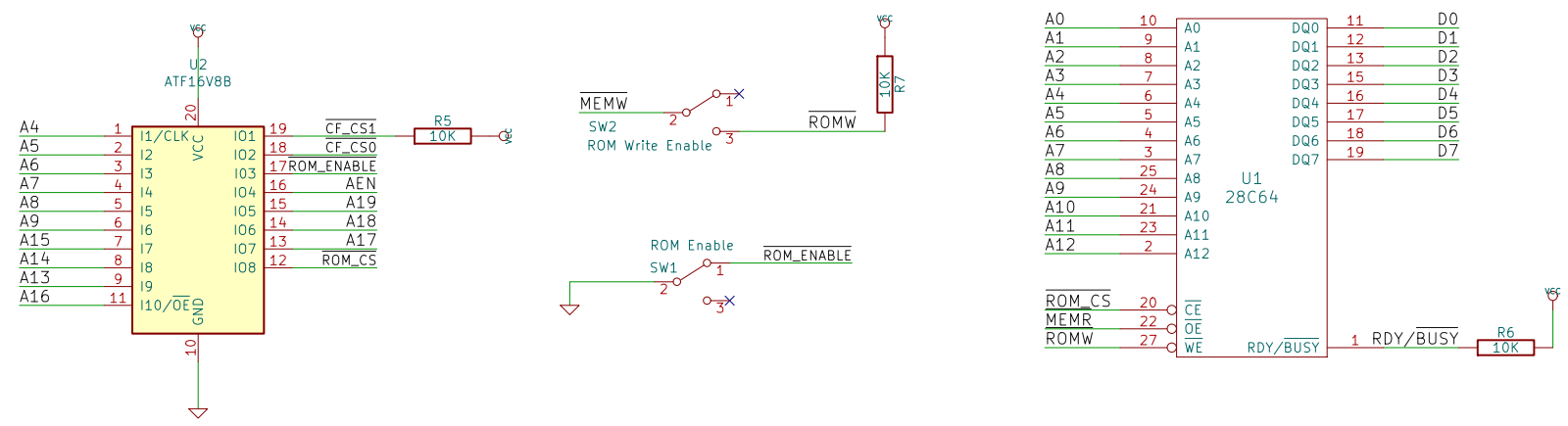
Compact Flash Interface



ISA Bus



BIOS Extension ROM I/O Ports Chip Select Logic



Modified from Monotech-PC's design
 Based on https://github.com/monotech/monotech_xt-cf-mini
 GNU Free Documentation License (GFDL)

Aitor Gómez García		
Sheet:		
File: Micro-XTCF.kicad_sch		
Title: MicroXTCF ISA 8 bits (PCXT)		
Size: User	Date: 2021-03-14	Rev: 1.1
KiCad E.D.A.	eeschema 7.0.1	Id: 1/1